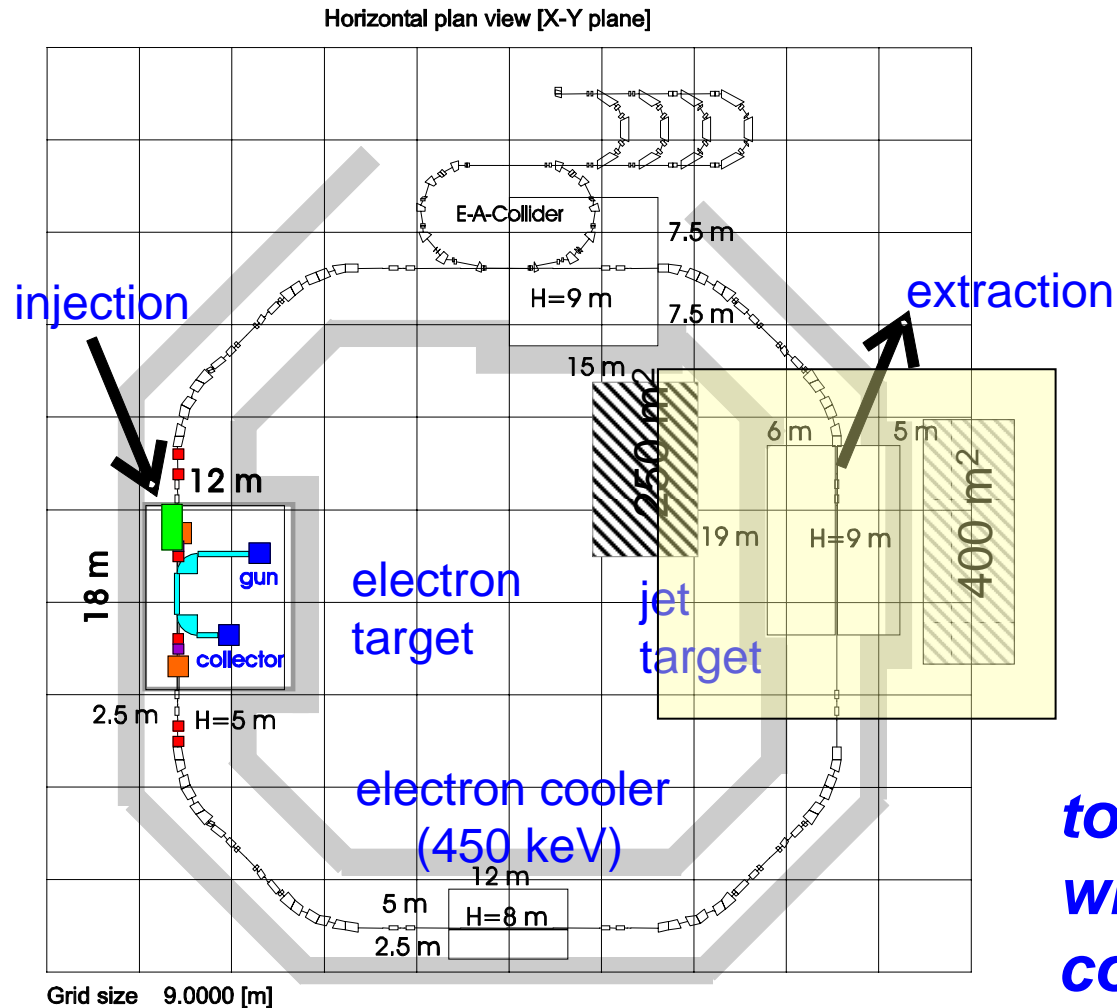


WG: Internal Target WP (3.2)

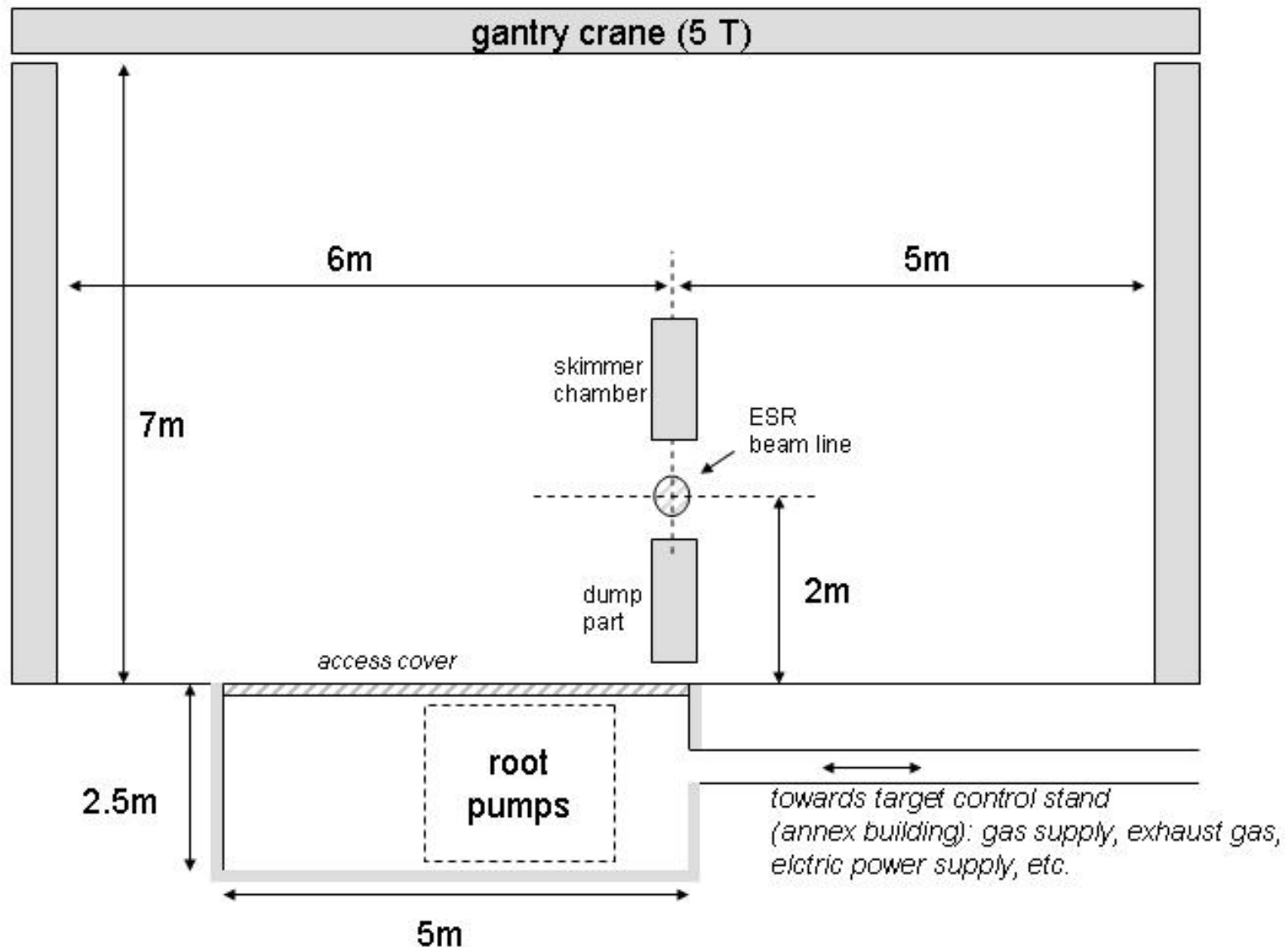
13/09/2006



*to be shared
with the EXL
collaboration*

WG: Internal Target WP (3.2)

13/09/2006

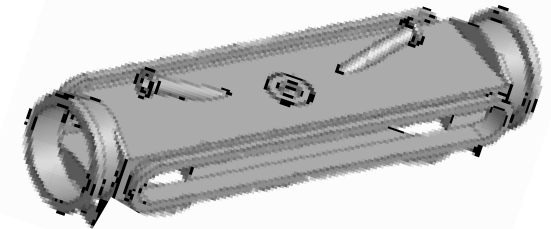
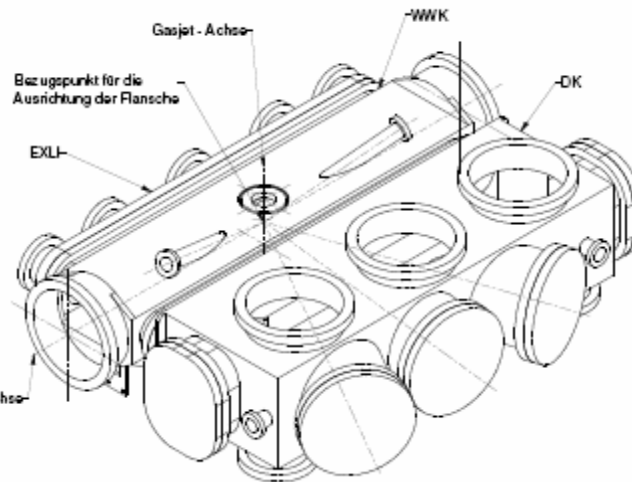


WG: Internal Target

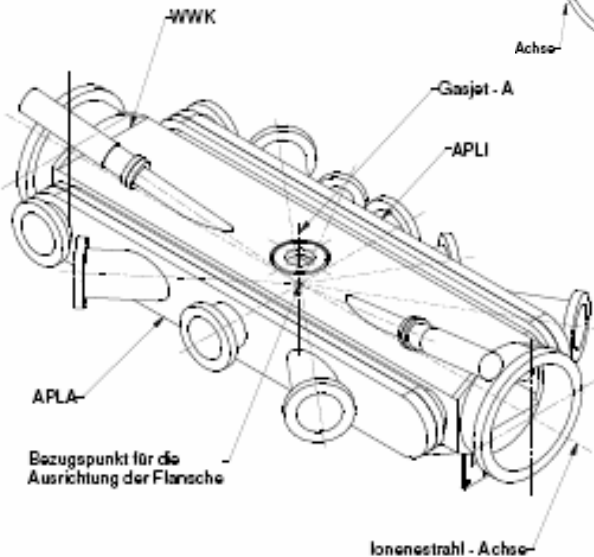
13/09/2006

A new design for the target chamber at the ESR is available which should serve as a prototype chamber for the NESR (call for tender). It considers the need of the various SPARC and EXL experiments planned.

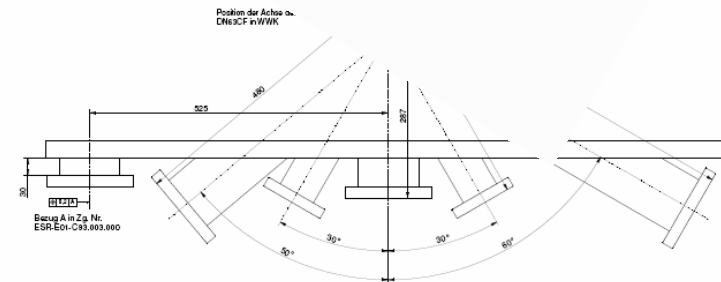
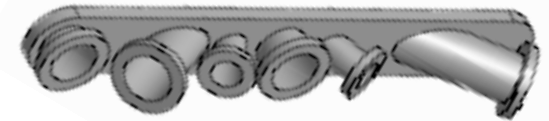
Goal: Installation until mid 2007



SPARC



SPARC



WG: Internal Target

13/09/2006

December 2005

Test of the current H₂ target (long time stability) was successful (HCI 06 contribution, G. Weber 2-29)

April 2006

R. Grisenti et al. (superfluid targets, Univ. Frankfurt) joined the collaboration.

July 2006

Design studies for a new prototype chamber finished. Call for tender

August 2006

Diagnostics of the beam target overlap using CCD cameras. X-Ray view ports CF35 made out of thin (200 μm) Diamond material are now available for first tests enabling x-ray detection as well as measurements in the optical regime.

